



DPG285 digital pressure gauge

Product description

DPG285 digital pressure gauge is a high-precision pressure gauge that can rotate 330°. It adopts split-screen display of main screen and secondary screen. While displaying real-time pressure, it can simultaneously display reference data with ambient temperature, maximum or minimum pressure, etc..|

The product has powerful functions, a variety of common pressure units are available, the pressure collection rate is adjustable, the battery power is displayed, and the product supports external power supply and battery dual power supply modes.

This product is powered by three batteries and adopts an ultra-low power consumption design, with a maximum battery life of more than 1 year.



Applications

- ◇ Mechanical and electronic industry
- ◇ Instrument and meter supporting
- ◇ Pressure laboratory
- ◇ Construction machinery automation
- ◇ It can replace the pointer precision pressure gauge and can be used as a standard pressure gauge for calibrating pressure transmitters and ordinary pressure gauges.

Technical features

- ◇ Original imported pressure sensor, accuracy 0.05%. 0.1%, 0.5% optional
- ◇ Dial rotates 330°
- ◇ 15 types of units available
- ◇ Low power consumption design, powered by 3 AAA batteries, with a battery life of up to 1 year
- ◇ Bluetooth function, can set various parameters and export recorded data.

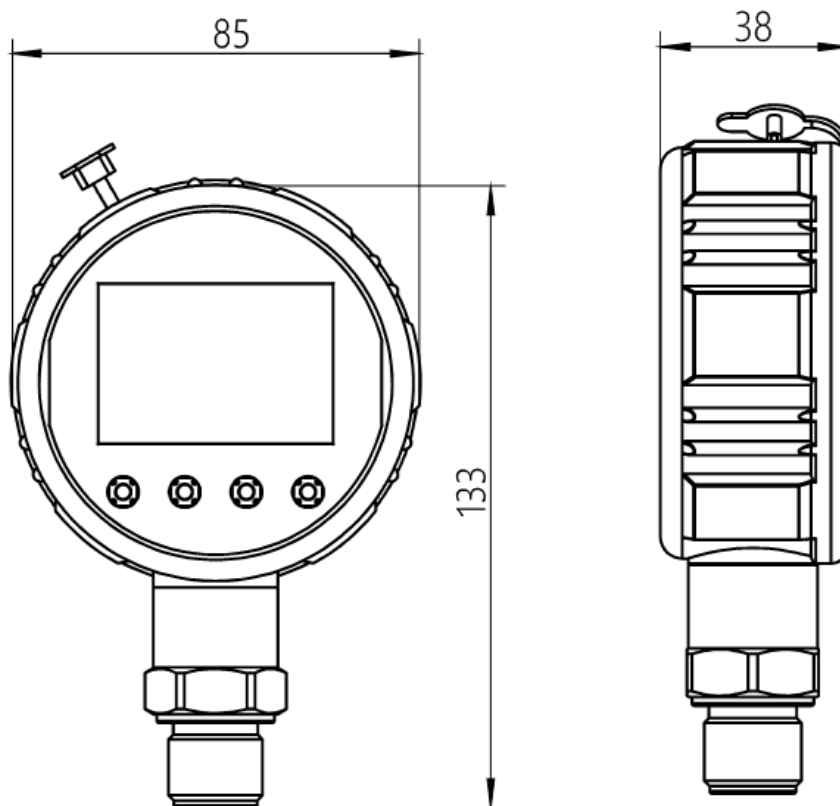
Technical Parameters

Measuring range:	Micro pressure: (0~1... 40...250) kPa
	Medium pressure: (0~0.4...1...4 MPa)
	High pressure: (0~6...10...20 MPa)
	Ultra-high pressure: (0~40...60...100 MPa)
	Absolute pressure: (0~10...250...1000 kPa)
	Compound pressure (-100...2.5~2.5...100...1000)kPa



- Overload pressure: 150% (>10MPa), 200% (\leq 10MPa)
- Backlight color: yellow backlight
- Dial size: 85mm
- Accuracy level: \leq 20MPa Accuracy: 0.05% FS; 0.1% FS, 0.5% FS;
> 20MPa accuracy: 0.1% FS, 0.5% FS;
- Long-term stability: better than 0.05%FS/year
- Working temperature: -5~40°C
- Electrical protection: anti-electromagnetic interference design
- Sampling frequency: 1~10/second
- Measuring medium: gas or liquid compatible with 316 stainless steel
- Pressure interface: M20*1.5 or customized
- Connector material: 304 stainless steel
- Rotation angle: 330°
- Product functions: power on/off, backlight, reset, unit switching, extreme value display, Bluetooth communication
- Power: 3 AAA batteries or USB power supply
- Shell material: Cast aluminum
- Protection level: IP65

Structure size: (mm)





DPG286 Digital Pressure Gauge

Product description

DPG286 is a digital pressure gauge with a built-in high-precision pressure sensor that can accurately display pressure in real time and has the characteristics of high precision and good long-term stability.

This digital pressure gauge is equipped with a large-size LCD display and has multiple functions such as zeroing, backlight, on/off, unit switching, low-voltage alarm, etc. It is simple to operate and easy to install. The dial orientation can be rotated 330°, allowing customers to read from the desired angle. The equipment product adopts an integral shell with rubber coating, which has good shock resistance and can measure gas, liquid, oil and other media that are non-corrosive to stainless steel. This series of products supports Bluetooth applets and APP configuration parameters, including: pressure value display, acquisition rate modification, clearing operation and other settings. The product comes with open source Bluetooth protocol parsing files to facilitate customers' secondary development.



DPG286 digital pressure gauge is suitable for portable pressure measurement, equipment matching, calibration equipment and other pressure measurement fields.

Technical features

- ☆ Dial orientation can be rotated 330°
- ☆ Super large LCD screen, supports multiple unit switching
- ☆ Supports multiple functions such as clearing, backlight, Bluetooth connection, APP collection, etc.
- ☆ Low power consumption design, 2 AA batteries, 12 months battery life
- ☆ The product is beautiful, the shell is fully covered with rubber, and the hand feels delicate

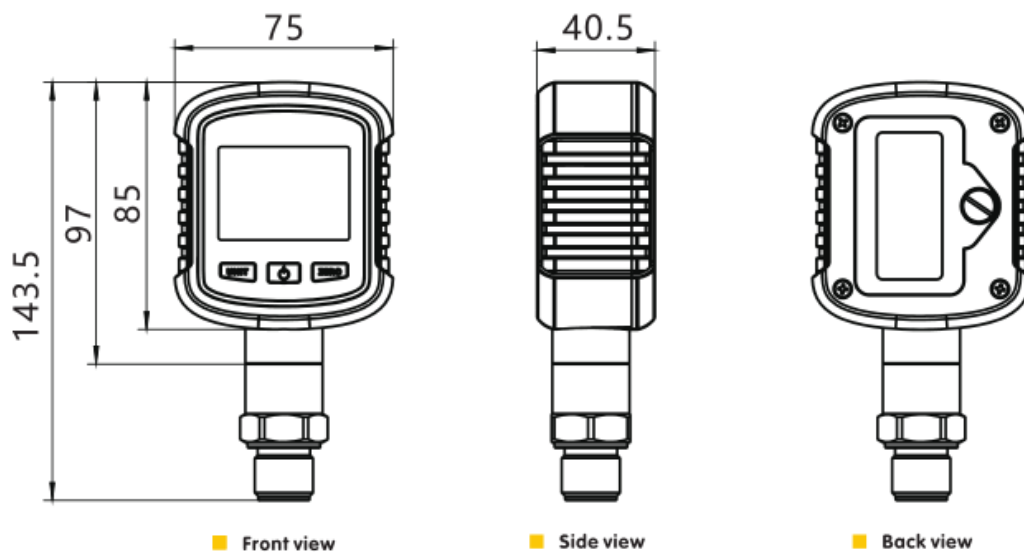
Technical Parameters

Measuring range:	-0.1~0~0.1...1..60MPa
Overload pressure:	200%FS
Backlight color:	white backlight



Appearance size:	143.5*75*40.5mm
Accuracy level:	0.5%FS, 0.2%FS
Long-term stability:	better than +0.3%FS/year
Working temperature:	-20~65°C
Electrical Protection:	Anti-electromagnetic interference design
Measuring medium:	oil, water, gas and other stainless steel non-corrosive media
Pressure interface:	M20*1.5, G1/4 or customized thread
Connector material:	304 stainless steel
Shell material:	TPE+ABS
Product functions:	power on/off, backlight, reset, unit switching, Bluetooth connection
Power:	3V (2 AA batteries)
Battery display:	four-segment display
Dial:	Dial can be rotated 330°
Pressure unit:	MPa, bar, kgf, mH2O, PSI, kPa, mmHg, mBAR, mmH2O, Pa, inWC
Protection level:	IP54

Structure size (mm)





DPG210 Digital Pressure Gauge

DPG210 Digital Pressure Gauge is portable, field digital gauge. With advanced microprocessor technology and state-of-the-art silicon pressure sensors, the LCD screen adopts the frequency division display of the main screen and the sub screen. While displaying the real-time pressure, it can simultaneously display the reference data such as the on-site temperature, maximum value and minimum value. The product is powerful and presets 13 common pressure units to choose from.

Optional, adjustable pressure acquisition rate, battery power display, the product is equipped with USB external power supply and battery dual power supply mode.

This product is powered by three 5th batteries and features an ultra-low power design for up to 3,600 hours of battery life.

Features:

- ☆ 5-digit display, main and secondary screen dual screen design
- ☆ Simultaneous display of real-time pressure and current temperature/extreme value
- ☆ 5th battery power supply, battery life more than 3600 hours
- ☆ Ultra-high precision design, optional 0.1%
- ☆ 13 units available: Mpa、kpa、pa、psi、bar、kgf/cm2、kPa、mbar、inH₂O、mmHg、lorr、ATM、mmH2O
- ☆ Adjustable sampling rate
- ☆ 105mm diameter, 304 stainless steel case

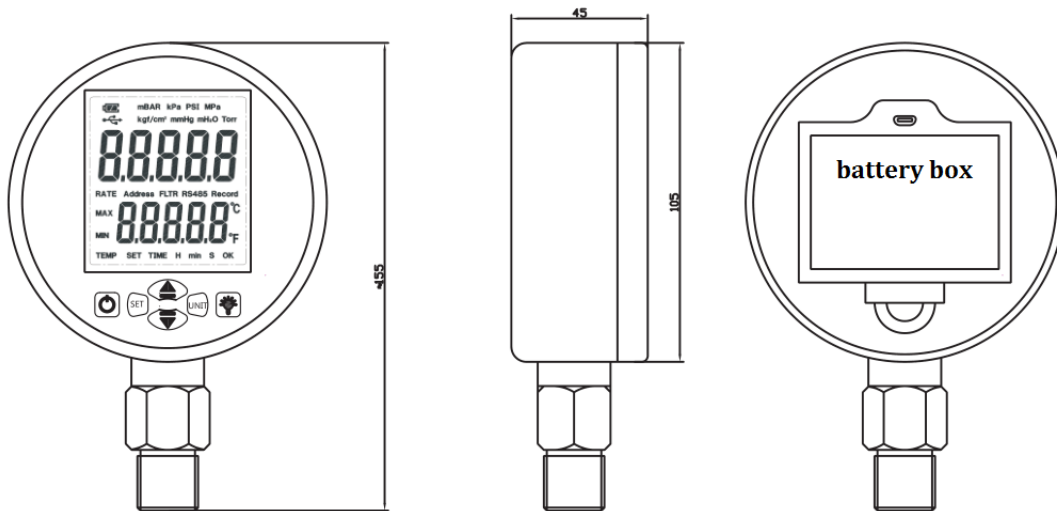


SPECIFICATION:

Range	-1~1 1.6 2.5 4 6 10...1000bar -100 -60 -40 -25 -10~10...100kPa 0~100kPa...1000kPa (absolute pressure)
Temperature display accuracy	0.1 ° C
Temperature accuracy	better than 0.5 ° C
Acc.	0.1% F.S
Size	105mm
Operating temperature	-10~50°C
Compensation temperature	0~40°C
Supply voltage	3 AA batteries or USB powered
Battery life	3,600 hours of continuous operation
Sampling rate	1-10 times / sec can be set
Interface thread	M20*1.5 G1/4 or other standard thread
Product material	304 stainless steel
Measuring medium	non-corrosive medium such as oil, water and gas
Product weight	260g



Product Size





KT-S828E Digital Pressure Switch

KT-S828E is a intelligent digital pressure switch, setting pressure measurement, pressure display, control in one professional unit. It can be set two group NO/NC alarm points and also achieve two group high and low pressure control. “One key to zero clearing” and “three pressure unit to change” are available. We pay more attention to the stability of circuit with anti-electromagnetic interference, cells lightning protection and electronic protection. The shell and connector are 304S.



APPLICATION

- Machine automation
- Engineering machiner
- Medical equipment
- Source and water treatment system
- Agricultural machinery
- Hydraumatic and pneumatic system

CHARACTERISTICS

- 80mm diameter, 304SS shell
- Radial and axial mounting (axial mounting optioal ,the order code: **KT-S828Z**)
- Different pressure units to chose, one key to zero clearing
- Double relay output signal, each group with NO/NC, returning difference be set independent
- Multiple connection modes, be used as controller, switch, digital electro connecting pressure gauge

SPECIFICATION:

Range	-1-1600bar
Over Pressure	Range≥100bar 150%; Range<100bar 200%
Acc.	±0.5%FS
Alarm Point	Alarm point be set discretionarily within the range.
Alarm Type	Double relays output signal(NO/NC)
Operating Temperature	-20~ 80℃
Compensation Temperature	-10 ~70 ℃
Electric Protection	Reverse protection, anti-electromagnetic interference
Sampling Frequency	5 times/sec
Measurement Medium	Gas, water, oil
Pressure Connection	M20*1.5, G1/4, G1/2, NPT1/2, NPT1/4

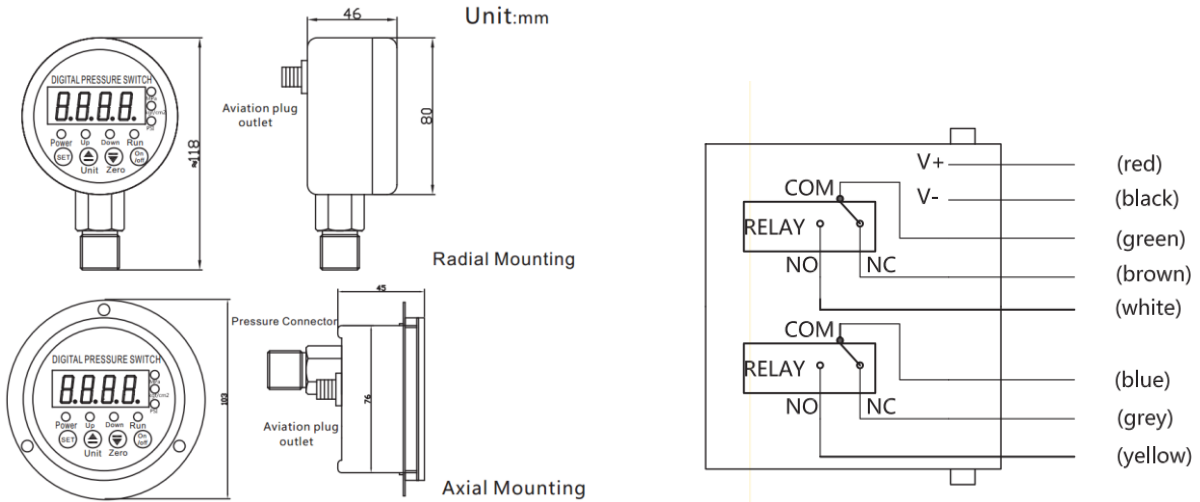


KDS INSTRUMENT CO.,LTD

BEIJING XIHENG TECHNOLOGY CO.,LTD
ADDR:D10090, No,18,Jianshe Road,Kaixuan Street, Liangxiang, Fangshan
District Beijing, China
TEL:+86-010-21786280
EMAIL:SALES@KDS-INSTRUMENT.COM

Bottom connect&Housing	304SS
Supply	24VDC, 220VAC, 380VAC
Weight	0.35Kg

Dimension and outlet connection





KT-S853 compact digital pressure switch

The KT-S853 is an electronic pressure switch with an OLED screen designed for hydraulic environments. The product features a 304 stainless steel case and a plastic case head design, offering protection up to IP65 rating, making it suitable for use in harsh conditions.

This pressure switch employs a universal threaded connector design, tailored for high-load scenarios in hydraulic environments, complemented by an ED sealing method*, ensuring excellent long-term stability. The product is equipped with a dual-segment rotating structure, allowing for screen orientation adjustment to guarantee optimal viewing angles for customers across various installation positions.

This pressure switch comes with multiple function buttons, enabling users to set upper and lower limits, hysteresis mode/window mode, among other functions. It includes a standard 5-core M12 aviation plug cable (1 meter), allowing users to directly replace old mechanical pressure switches.



Technical characteristics

- ☆ 304 stainless steel housing, IP65 structural design
- ☆ Dual-segment rotating structure for quick adjustment of screen orientation
- ☆ OLED screen design with wide viewing angle and high resolution
- ☆ Multiple output options available: 4~20mA, PNP/NPN switchable
- ☆ Dual-path alarm lights, multifunctional button design

Specification:

- ☆ Measuring Range: 0~0.1...1.0...60 MPa
- ☆ Accuracy Class: $\pm 0.5\%$ FS
- ☆ Overload Pressure: ≤ 10 MPa: 200%; > 10 MPa: 150%
- ☆ Burst Pressure: ≤ 10 MPa: 300%; > 10 MPa: 200%
- ☆ Display Type: OLED screen
- ☆ Screen Resolution: 128*64
- ☆ Supply Voltage: 12~28V
- ☆ Output Signal:
 - Output 1: NPN or PNP (switchable)
 - Output 2: NPN or PNP (switchable)
 - Other Output: 4~20mA
- ☆ Response Time: 10ms
- ☆ Load Current: ≤ 100 mA



- ☆Operating Temperature: -20~65°C
- ☆Electrical Connection: M12 plug
- ☆Electrical Fast Transient/Burst Immunity: Compliant with $\pm 2\text{kV}$ voltage and 2.5kHz frequency test
- ☆Power Frequency Magnetic Field Test: Compliant with 30 A/m magnetic field strength test
- ☆Electrostatic Discharge Immunity: Compliant with $\pm 8\text{kV}$ voltage test
- ☆RF Conducted Disturbance: Compliant with 140dBuV (10V) test
- ☆Thread Interface: G1/4, BG1/4, PT1/4, NPT1/4, M20x1.5, or custom
- ☆Interface Material: 304 stainless steel
- ☆Diaphragm Material: 316L stainless steel
- ☆Protection Rating: IP65
- ☆Accessories: Standard 5-core M12 aviation plug cable (1 meter)

Product dimensions

